

Stereophonic



THE FISHER

CUSTOM ELECTRA III

SCHEMATIC and

PARTS LIST



MODEL 440

CHASSIS SERIAL NUMBERS
FROM 20001 TO 29999 INCLUSIVE

PRICE: \$1.00

FISHER RADIO CORPORATION • NEW YORK



CHASSIS SERIAL NUMBERS
FROM 20001 TO 29999 INCLUSIVE

THE FISHER 440



PARTS DESCRIPTION LIST • CHASSIS 610 • SERIAL NUMBERS 20001 TO 29999 INCLUSIVE

CAPACITORS

20% tolerance for all fixed capacitors, unless otherwise noted or marked GMV (guaranteed minimum value.) Cer = Ceramic

Symbol	Description	Part No.
C1	Ceramic, 2uuf NPO, 500V	CC20CH020D5
C2	Ceramic, 5uuf NPO, 500V	CC20CH050K5
C3	Ceramic, 220uuf 10%, 500V	CC21GP221K5
C4	Variable, FM-AM Tuning	C643-117
C5	Ceramic, .02uf +80% -20%, 600V	C50071-3
C6	Ceramic, 18uuf NPO, 500V	CC20CH180K5
C7	Ceramic, feedthru 1000 uuf GMV	C629-172
C8	Ceramic, 47uuf N750, 500V	CC20UJ470K5
C9	Ceramic, feedthru, 1000uuf GMV	C629-172
C10	Ceramic, 100uuf GMV N1500, 1000V	C50070-5
C11	Ceramic, 24uuf N150, 500V	CC20PJ240K5
C12, 13	Ceramic, 100uuf GMV N1500, 1000V	C50070-5
C14	Ceramic, 8uuf N1400, 500V	CC20VK080C5
C15	Ceramic, 100uuf 10% N1500, 1000V	C50070-6
C16	Ceramic, 1000uuf 10%, 1000V	C50072-3
C17	Ceramic, .005uf, 500V	C50089-1
C18	Ceramic, 100uuf GMV N1500, 1000V	C50070-5
C19	Ceramic, .005uf, 500V	C50089-1
C20, 21	Ceramic, feedthru, 1000uuf GMV	C629-172
C22	Ceramic, 10uuf N330, 500V	CC20SH100D5
C23	Ceramic, 68uuf N750, 500V	CC20UJ680K5
C24	Ceramic, 8uuf NPO, 500V	CC20CH080D5
C25	Ceramic, Trimmer, 1-8uuf, NPO	C643-153
C26	Ceramic, 1000uuf 10%, 500V	C50072-3
C27	Ceramic, Trimmer, 1-8uuf, NPO	C643-153
C28	Ceramic, 100uuf GMV N1500, 1000V	C50070-5
C29, 30	Ceramic, .005uf, 500V	C50089-1
C31	Ceramic, 100uuf GMV N1500, 1000V	C50070-5
C32	Ceramic, 24uuf N150, 500V	CC20PJ240K5
C33, 34	Ceramic, .005uf, 500V	C50089-1
C35	Ceramic, .02uf +80% -20%, 600V	C50071-3
C36	Ceramic, 47uuf N750, 500V	CC20UJ470K5
C37	Molded, .047uf 10%, 250V	C50074-27
C38	Ceramic, 220uuf 10%, 500V	CC21GP221K5
C39	Electrolytic, three section: 20uf, 350V 20uf, 350V 20uf, 350V	C686-125
C40	Molded, .0068uf 10%, 200V	C68P682K2
C41, 42	Ceramic, .005uf, 500V	C50089-1
C43	Ceramic, 220uuf 10%, 500V	CC21GP221K5
C44	Ceramic, .0033uf 10%, 1000V	C50072-11
C45	Ceramic, .005uf, 500V	C50089-1
C46	Ceramic, .02uf +80% -20%, 600V	C50071-3
C47	Ceramic, 330uuf, 10%, 1000V	C50072-11
C48, 49	Ceramic, 1000uuf 10%, 500V	C50072-3
C50, 51	Molded, .022uf 10%, 250V	C50074-26
C52	Electrolytic, four section: 40uf, 450V 40uf, 350V 40uf, 350V 20uf, 300V	C643-138
C53	Electrolytic, 8uf, 50V	C629-138
C54	Molded, .0068uf 10%, 200V	C68P682K2
C55	Ceramic, feedthru, 1000uuf GMV	C629-172
C56	Ceramic, 220uuf 10%, 500V	CC21GP221K5
C57	Ceramic, .0033uf 10%, 1000V	C50072-11
C58	Ceramic, 1000uuf 10%, 500V	C50072-3
C59, 60	Molded, .022uf 10%, 250V	C50074-26
C61	Ceramic, 150uuf 10%, 500V	CC21GP151K5

C62	Ceramic, 24uuf 10%, 500V
C63	Ceramic, 47uuf 10%, 500V
C64	Ceramic, 24uuf 10%, 500V
C65	Molded, .022uf 10%, 250V
C66	Ceramic, .005uf, 500V
C67, 68	Molded, .022uf 10%, 500V
C69	Ceramic, 47uuf 10%, 500V
C70	Electrolytic, 100uuf, 25V
C71	Molded, .1uf 10%, 250V
C72	Molded, .01uf, 600V

CC21GP240K5
CC21GP470K5
CC21GP240K5
C50074-26
C50089-1
C50074-36
CC21GP470K5
C643-145
C50074-28
C2747

R54	Wirewound, 140, 5W
R55	Composition, 680K
R56	Composition, 12K
R57	Composition, 220K
R58	Composition, 18K
R59	Composition, 1.5K
R60	Wirewound, 140, 5W
R61	Composition, 10M
R62	Composition, 820K
R63, 64	Composition, 100K

R643-143
RC20BF684K
RC20BF123K
RC20BF224K
RC20BF183K
RC20BF152K
R643-143
RC20BF106K
RC20BF824K
RC20BF104K

RESISTORS AND POTENTIOMETERS

In ohms, 10% tolerance, 1/2 watt, unless otherwise noted. K = kilohm, M = megohm.

Symbol	Description	Part No.
R1	Composition, 820K	RC20BF824K
R2	Composition, 3.3K, 2W	RC40BF332K
R3	Composition, 33K	RC20BF333K
R4, 5	Composition, 470K	RC20BF474K
R6	Composition, 33K, 1W	RC30BF333K
R7	Composition, 82K, 1W	RC30BF823K
R8	Composition, 1K	RC20BF102K
R9	Composition, 470K	RC20BF474K
R10	Composition, 4.7K	RC20BF472K
R11	Composition, 100	RC20BF101K
R12	Composition, 82K	RC20BF823K
R13	Composition, 10	RC20BF100K
R14	Composition, 1K	RC20BF102K
R15	Composition, 1.5K	RC20BF152K
R16	Composition, 680K	RC20BF684K
R17	Composition, 100	RC20BF101K
R18	Composition, 47K, 1W	RC30BF473K
R19	Composition, 1K	RC20BF102K
R20	Composition, 2.2M	RC20BF225K
R21	Composition, 470K	RC20BF474K
R22	Composition, 180K	RC20BF184K
R23	Composition, 22K	RC20BF223K
R24	Composition, 560	RC20BF561K
R25	Composition, 4.7K	RC20BF472K
R26, 27	Composition, 100K	RC20BF104K
R28	Composition, 15K	RC20BF153K
R29	Composition, 82K	RC20BF823K
R30	Potentiometer, Dual, 1M 20%	R692-114
R31	Composition, 1K	RC20BF102K
R32	Composition, 270	RC20BF271K
R33	Composition, 68K	RC20BF683K
R34	Composition, 470K	RC20BF474K
R35	Composition, 39K	RC20BF393K
R36, 37	Composition, 470K	RC20BF474K
R38	Composition, 220K	RC20BF224K
R39	Potentiometer, Dual, 1M 20%	R692-114
R40	Composition, 18K	RC20BF183K
R41	Composition, 22K	RC20BF223K
R42	Composition, 1K	RC20BF102K
R43	Composition, 100K	RC20BF104K
R44	Composition, 560	RC20BF561K
R45	Composition, 4.7K	RC20BF472K
R46	Wirewound, 1.8K, 7W	R643-144
R47	Composition, 15K	RC20BF153K
R48	Potentiometer, Dual, 500K 20%	R692-113
R49	Wirewound, 600, 5W	R643-157
R50	Composition, 15K	RC20BF153K
R51	Composition, 39K	RC20BF393K
R52	Potentiometer, 250K 20%	R50103-1
R53	Composition, 22K	RC20BF223K

R66	Composition, 680	RC20BF681K
R67	Composition, 820K	RC20BF824K
R68, 69	Potentiometer, Wirewound, 500 20%	R516-128
R70, 71	Composition, 820K	RC20BF824K
R72	Composition, 2.2K	RC20BF222K
R73	Wirewound, 140, 5W	R643-143
R74	Composition, 33K	RC20BF333K
R75	Composition, 100K	RC20BF104K
R76	Composition, 680	RC20BF681K
R77	Composition, 10M	RC20BF106K
R78	Composition, 1.5K	RC20BF152K
R79, 80	Composition, 10K	RC20BF103K
R81	Composition, 4.7K	RC20BF472K

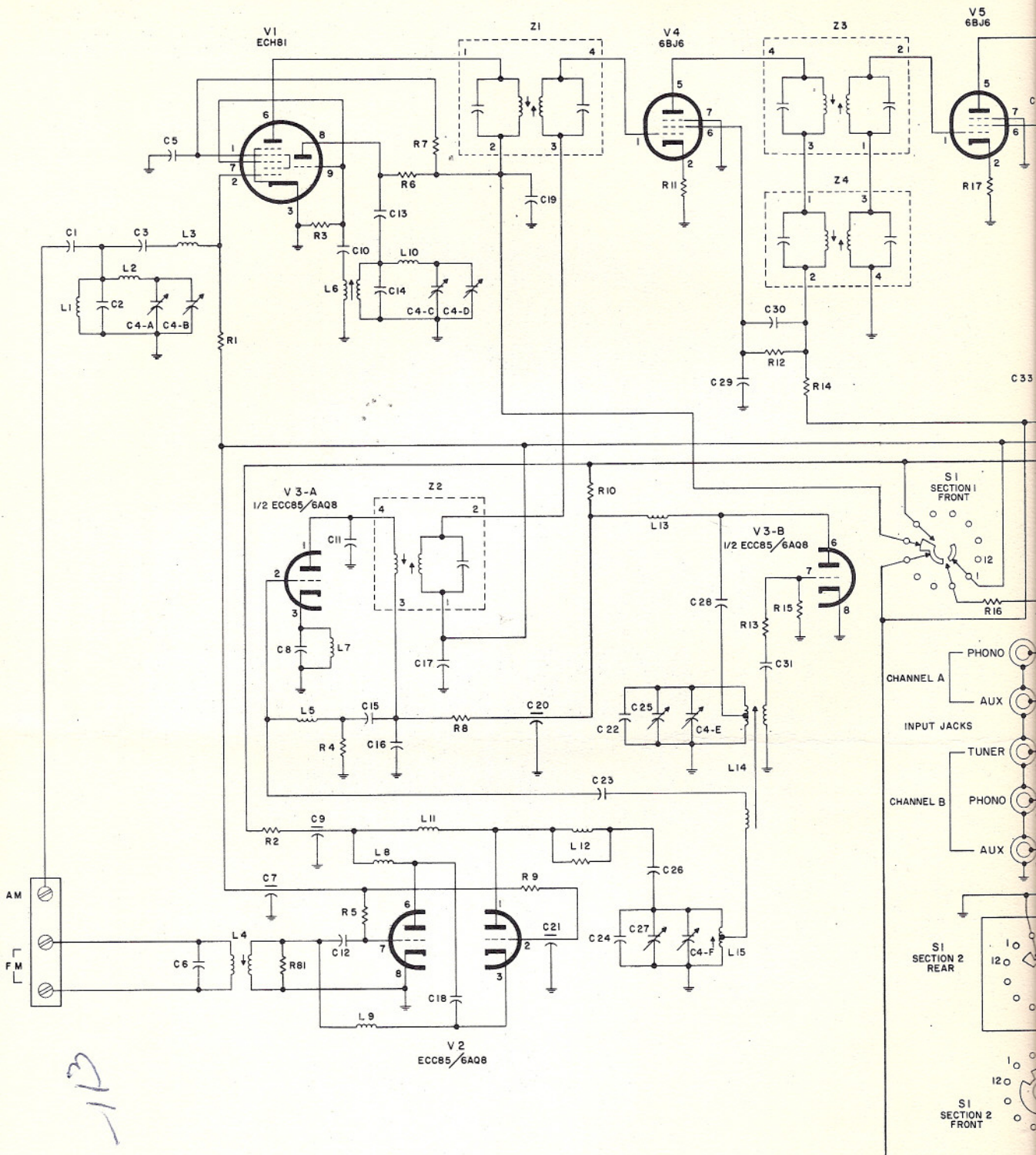
COILS, TRANSFORMERS, CHOKES

Symbol	Description	Part No.
L1	Loopstick, AM Antenna	L643-136
L2	Choke, RF, 3.3 Micro H	L50066-8
L3	Choke, RF, 1 Micro H	L50066-2
L4	Coil, Tuned, FM Antenna	AS643-148
L5	Choke, RF, 1 Micro H	L50066-2
L6	Coil, Tuned, AM Oscillator	L643-140
L7, 8	Choke, RF, .68 Micro H	L50066-1
L9, 10	Choke, RF, 1 Micro H	L50066-2
L11		
L12	Choke, Assembly FM-RF	L629-180
L13	Choke, RF, 1 Micro H	L50066-2
L14	Coil, Tuned, FM Oscillator	L643-151
L15	Coil, Tuned, FM-RF	L643-150
L16, 17	Choke, Ferrite Bead, Filament	L592-189
L18, 19		
L20, 21		
T1	Transformer, Output	T677-116
T2	Transformer, Power	T686-115
Z1	Transformer, Assembly, AM-IF	ZZ2984
Z2	Transformer, Assembly, FM-IF	ZZ630-114
Z3	Transformer, Assembly, FM-IF	ZZ2987
Z4	Transformer, Assembly, AM-IF	ZZ2984
Z5	Coil, Assembly, FM-AM IF	ZZ643-149
Z6	Transformer, Assembly, FM Detector	ZZ592-170

MISCELLANEOUS

Symbol	Description	Part No.
CR1, 2	Crystal Diodes, Matched Pair, FM Detector	V-1N542
F1	Fuse, 2 Ampere, Slo-Blo	F643-154
I1	Lamp, Phono Compartment	I50084
I2	Lamp, Pilot #47	I50009-1
I3, 4	Lamp, Dial Edge Lighting	I50082
S1	Channel Selector	S686-124
S2	Switch in Phono Compartment Light Socket	X50085
S3	Switch, AC Power	Part of R48
—	Phono Light Assembly	X50085

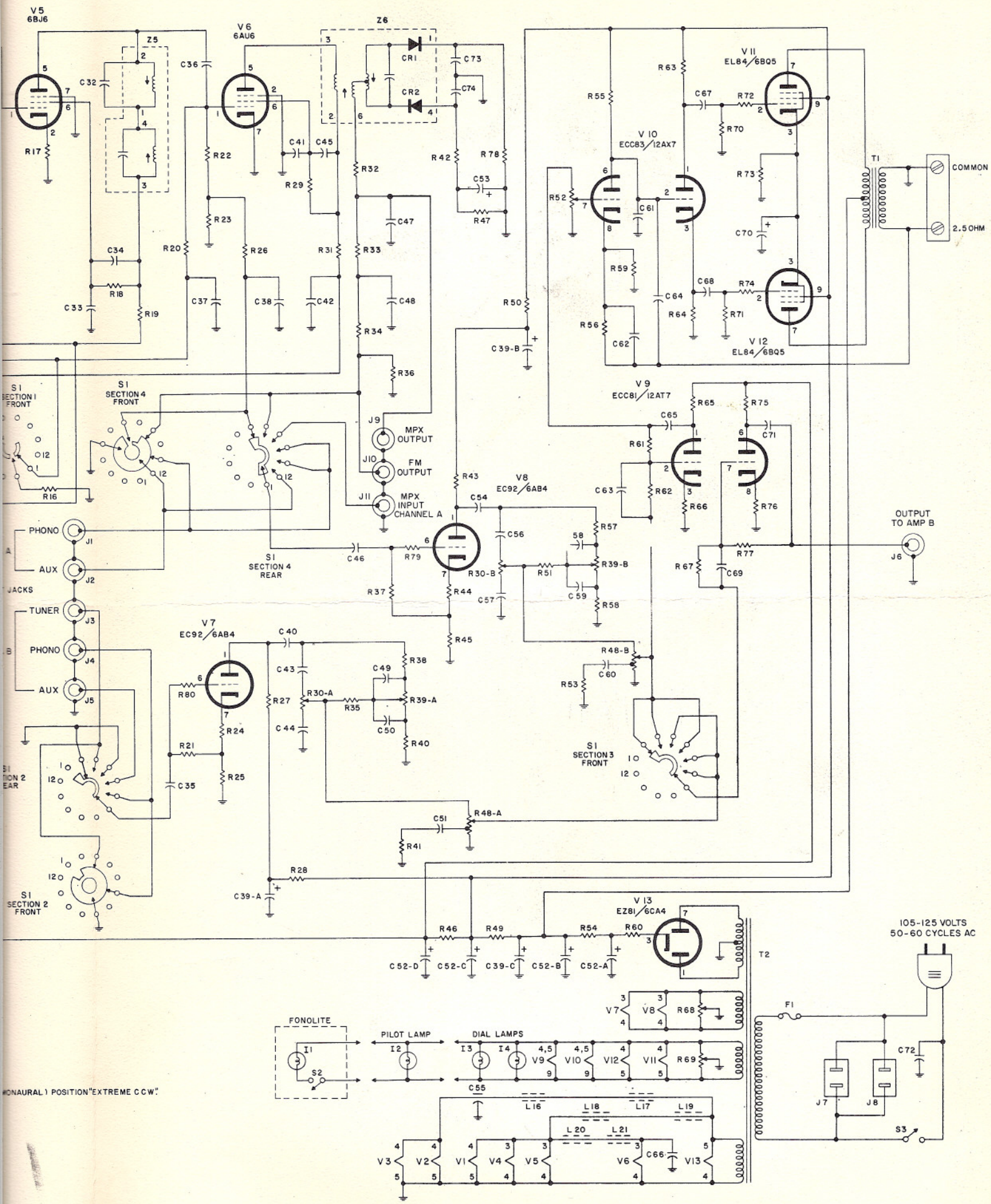
SCHEMATIC DIAGRAM • CHASSIS 610 • SERIAL NUMBERS 20001 TO 29999 INCLUSIVE

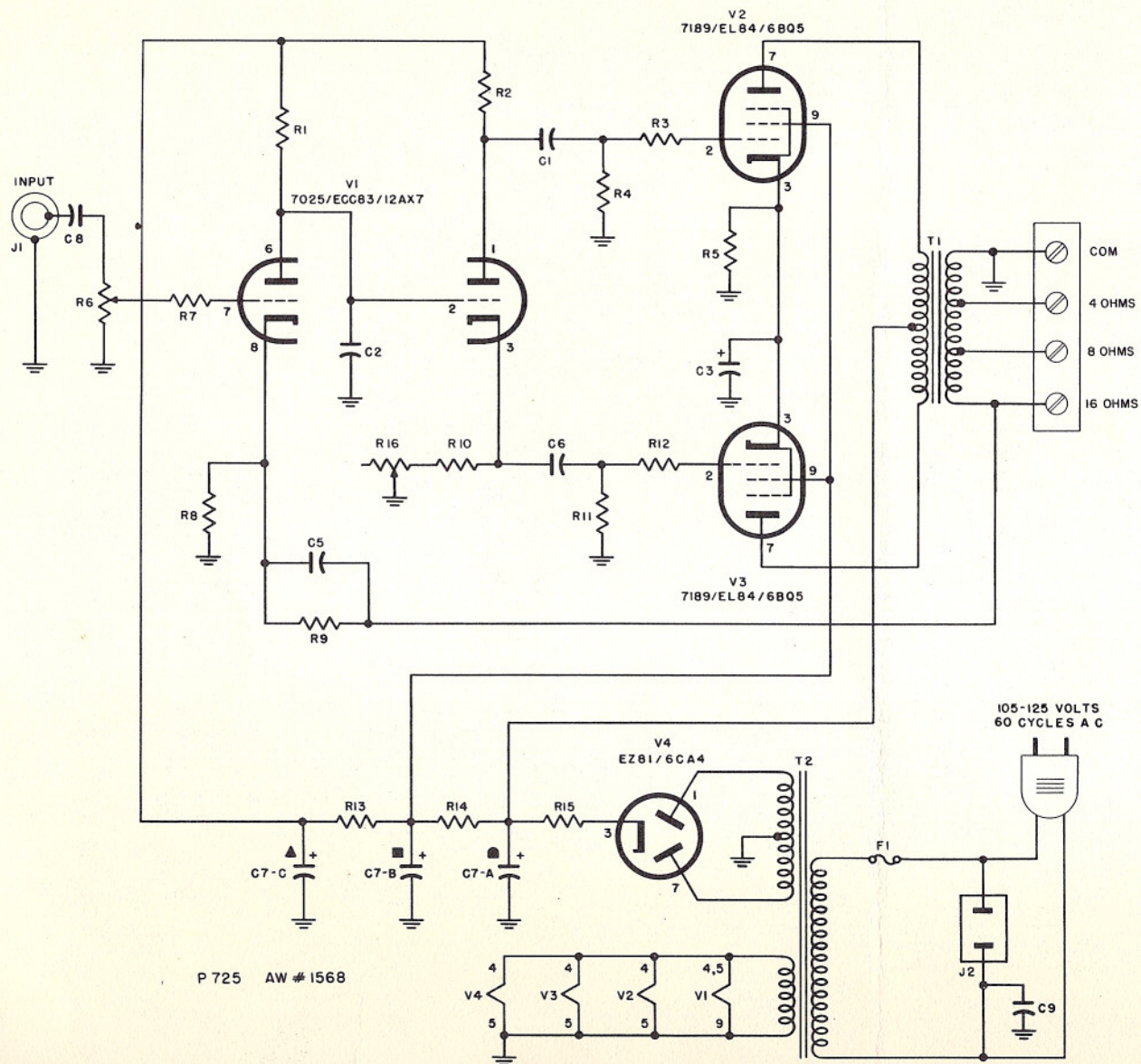


*2-48-92-1B
R692*

S1
CHANNEL SELECTOR
POSITIONS
AM (MONAURAL)
FM (MONAURAL)
RADIO (STEREO)
PHONO (MONAURAL)
PHONO (STEREO)
AUX (STEREO)

NOTE
S1 SHOWN IN THE AM (MONAURAL) POSITION





P 725 AW # 1568

CAPACITORS

20% tolerance for all fixed capacitors, unless otherwise noted or marked GMV (guaranteed minimum value.)

Symbol	Description	Part No.
C1	Molded, .047uf 10% 500V	C50074-37
C2	Ceramic, 220uf 10% 500V	CC21GP221K5
C3	Electrolytic, 100uf 25V	C643-145
C4	Not Used	
C5	Ceramic, 47uf 10% 500V	CC21GP470K5
C6	Molded, .047uf 10% 500V	C50074-37
C7	Electrolytic, three section: C7-A: 40uf, 450V C7-B: 40uf, 350V C7-C: 40uf, 350V	C677-120
C8	Molded, .022uf 10% 250V	C50074-26
C9	Molded, .01uf 600V	C2747

RESISTORS AND POTENTIOMETERS

In ohms, 10% tolerance, 1/2 watt, unless otherwise noted. K = kilohm, M = megohm.

Symbol	Description	Part No.
R1	Composition, 390K	RC20BF394K
R2	Composition, 82K	RC20BF823K
R3	Composition, 2.2K	RC20BF222K
R4	Composition, 820K	RC20BF824K
R5	Wirewound, 140, 5% 5W	R677-119
R6	Potentiometer, 500K 20%	R520-139
R7	Composition, 10K	RC20BF103K
R8	Composition, 1.5K	RC20BF152K
R9	Composition, 27K	RC20BF273K
R10	Composition, 56K	RC20BF563K
R11	Composition, 820K	RC20BF824K
R12	Composition, 33K	RC20BF333K
R13	Composition, 22K	RC20BF223K
R14	Wirewound, 7000, 7W	R563-200
R15	Wirewound, 100, 5W	R592-185
R16	Potentiometer, 50K 20%	R50103-3

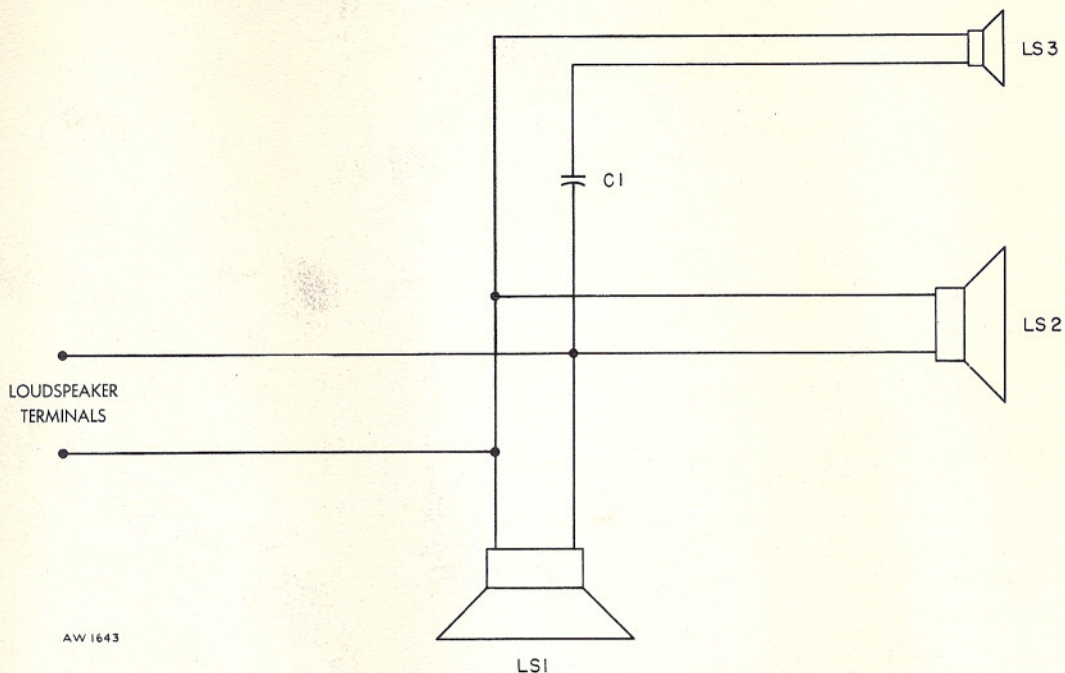
TRANSFORMERS

Symbol	Description	Part No.
T1	Transformer, Output	T725-116
T2	Transformer, Power	T725-115

MISCELLANEOUS

Symbol	Description	Part No.
F1	Fuse, 1 Ampere, SLO-BLO	F692-132

SCHEMATIC DIAGRAM · SPEAKER SYSTEMS



AW 1643

PARTS DESCRIPTION LIST

SPEAKER SYSTEMS

Symbol	Description	Part No.
—	Loudspeaker, 10-inch	LS769-103
—	Loudspeaker, 8-inch	LS634-107
—	Loudspeaker, tweeter	LS769-104
—	Capacitor, electrolytic, 5uf, 50V	C769-105

Note: Schematic diagram and parts list apply to both speaker systems, which contain the same components and are wired identically.

RECORD CHANGER

Symbol	Description	Part No.
—	Record Changer, less cartridge	RC558-127
—	Cartridge, phono, stereo	G50111
—	Spindle, 45-rpm	A50127



FISHER RADIO CORPORATION · NEW YORK

